



For confidence, click here.

Registry Verification Framework

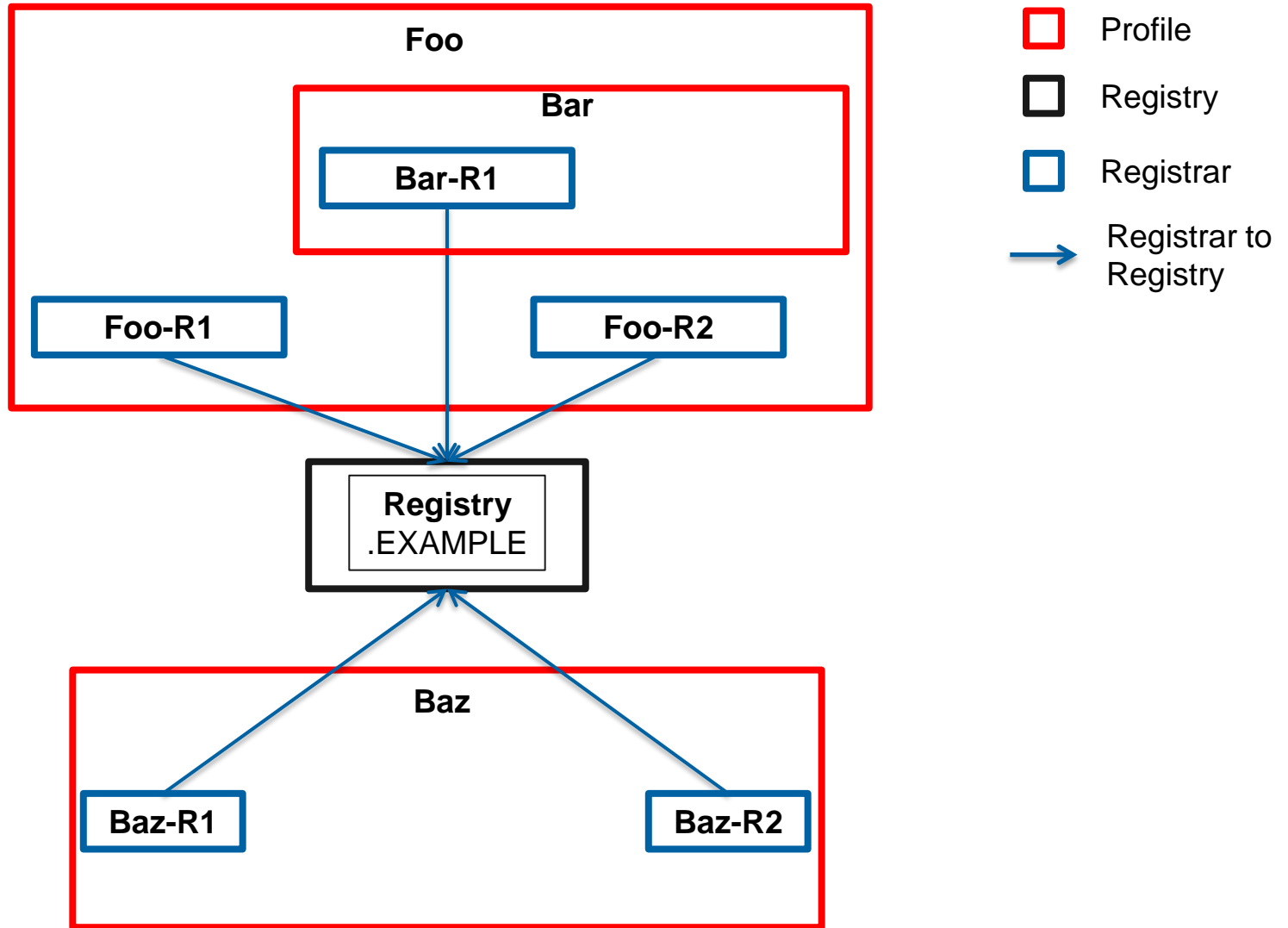
Joe Waldron

5 November 2016

The Problem

- How to apply profile-specific verification rules that:
 - Keeps verification data local
 - Maintains the Registrar and Registry relationship
 - Has one auditable verification
 - Supports confirmation of verification of any object and any operation
 - Separates verification interface from the Registry interface
 - Is extensible for multiple profiles and diverse rules
- The Registry Verification Framework solves this problem

Verification World



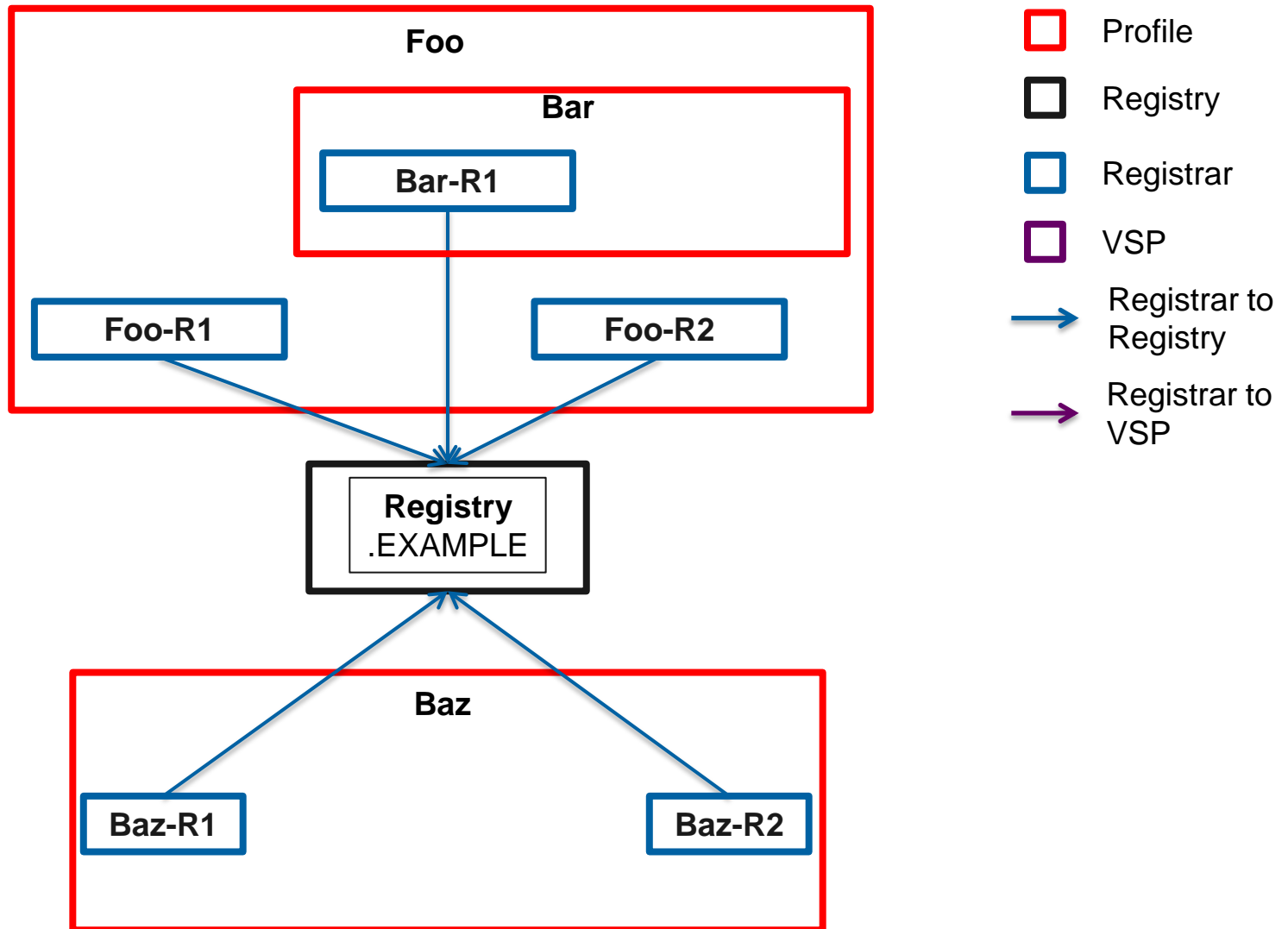
Framework Basics

- Verification Service Provider (VSP)
 - VSPs perform the Verification required for a Profile
 - Registrars Interface with VSP for Verification
 - VSP Generates Signed Verification Codes
 - Registry has the VSP Trust Anchor to Verify VSP Generated Codes

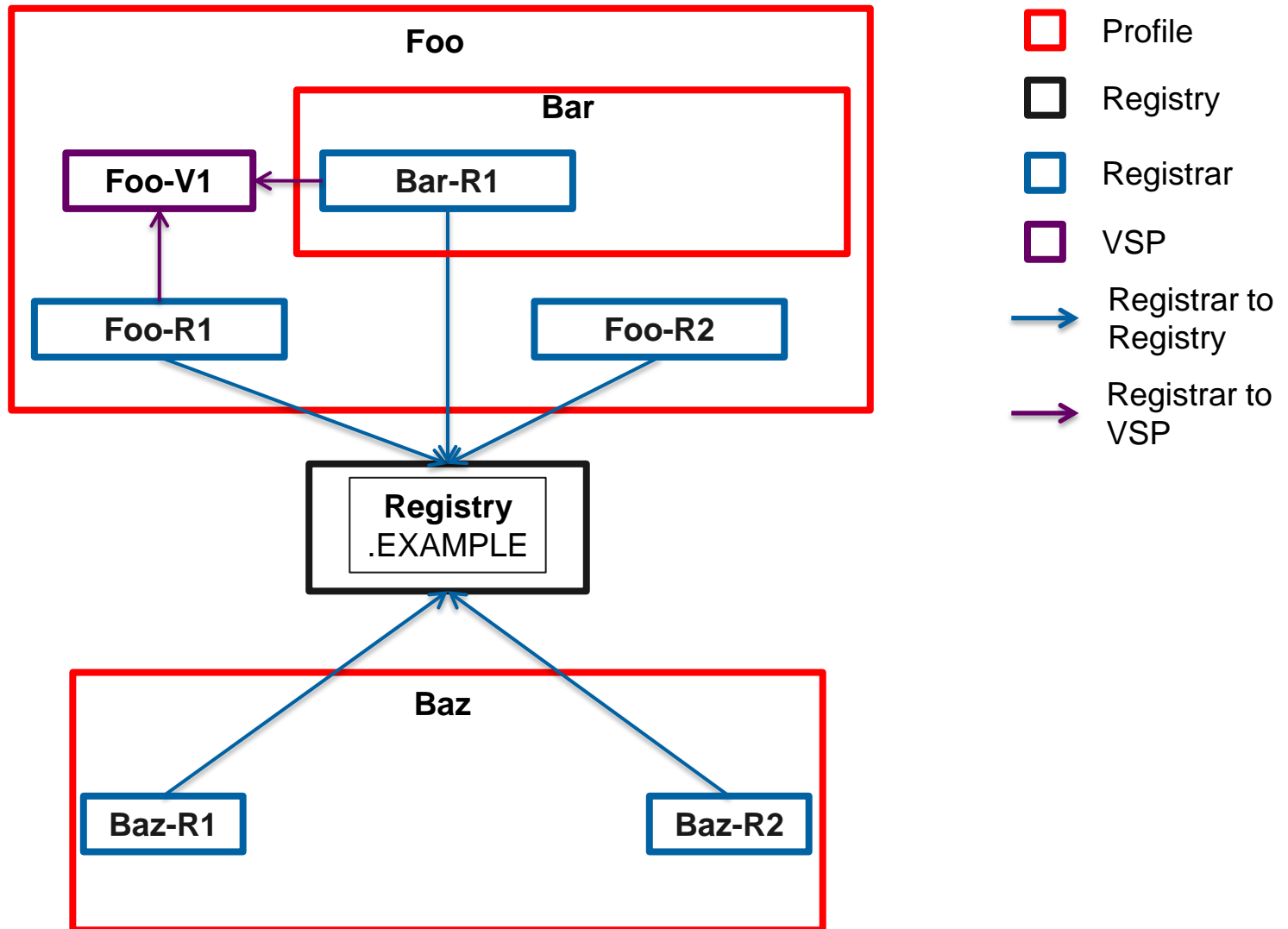
Framework Basics Cont.

- Verification Codes
 - Compliant with [draft-gould-epext-verificationcode](#)
 - Globally Unique Token Value Per Verification
 - Format: `vsp-id` “-” `verification-id`
 - Typed to Identify Verification Performed
 - Example: “`domain`”
 - BASE64 encoded XML Signature
- Registry Profile
 - Defines the Policy for the Profile

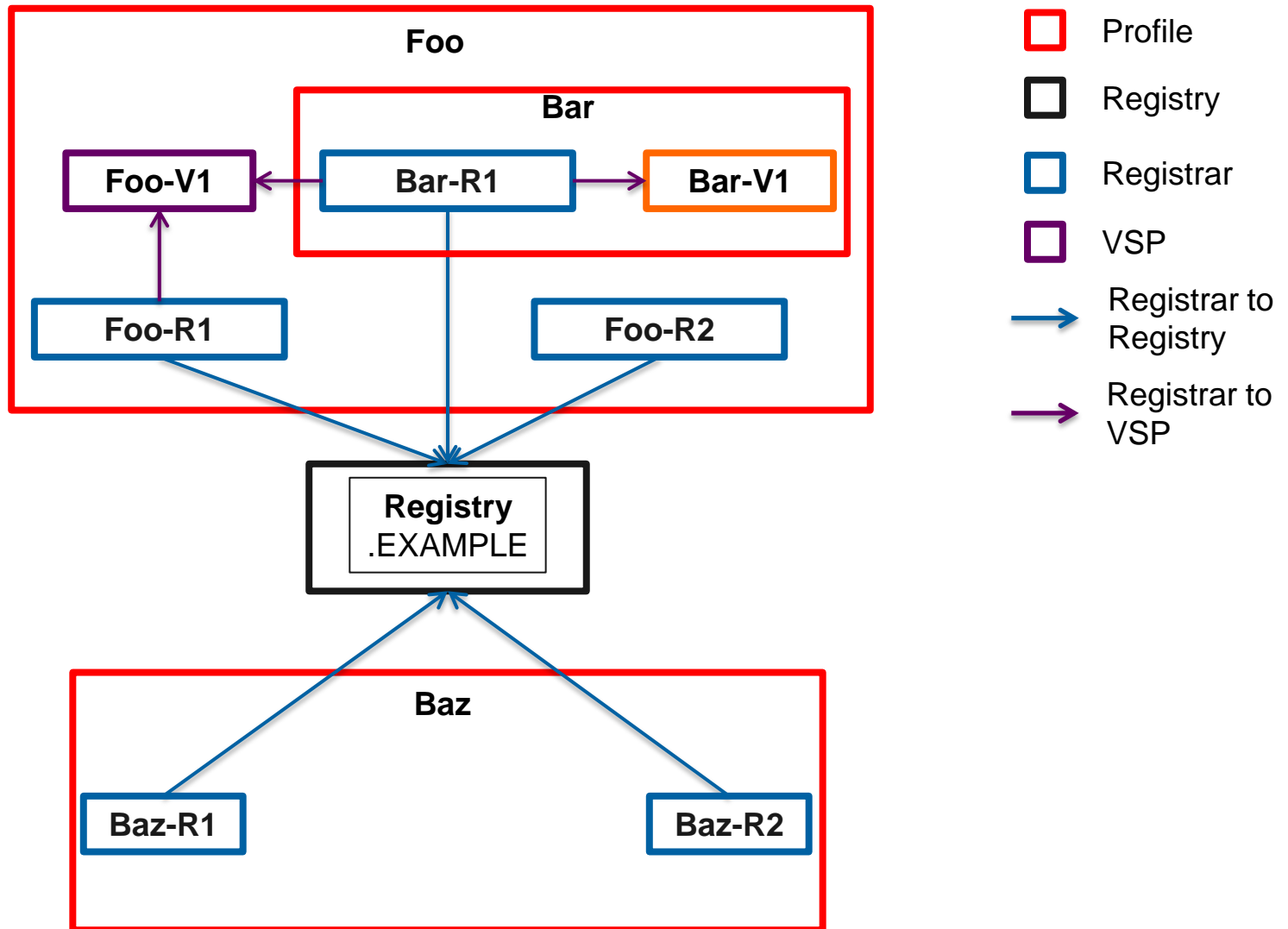
Framework Components and Relationships



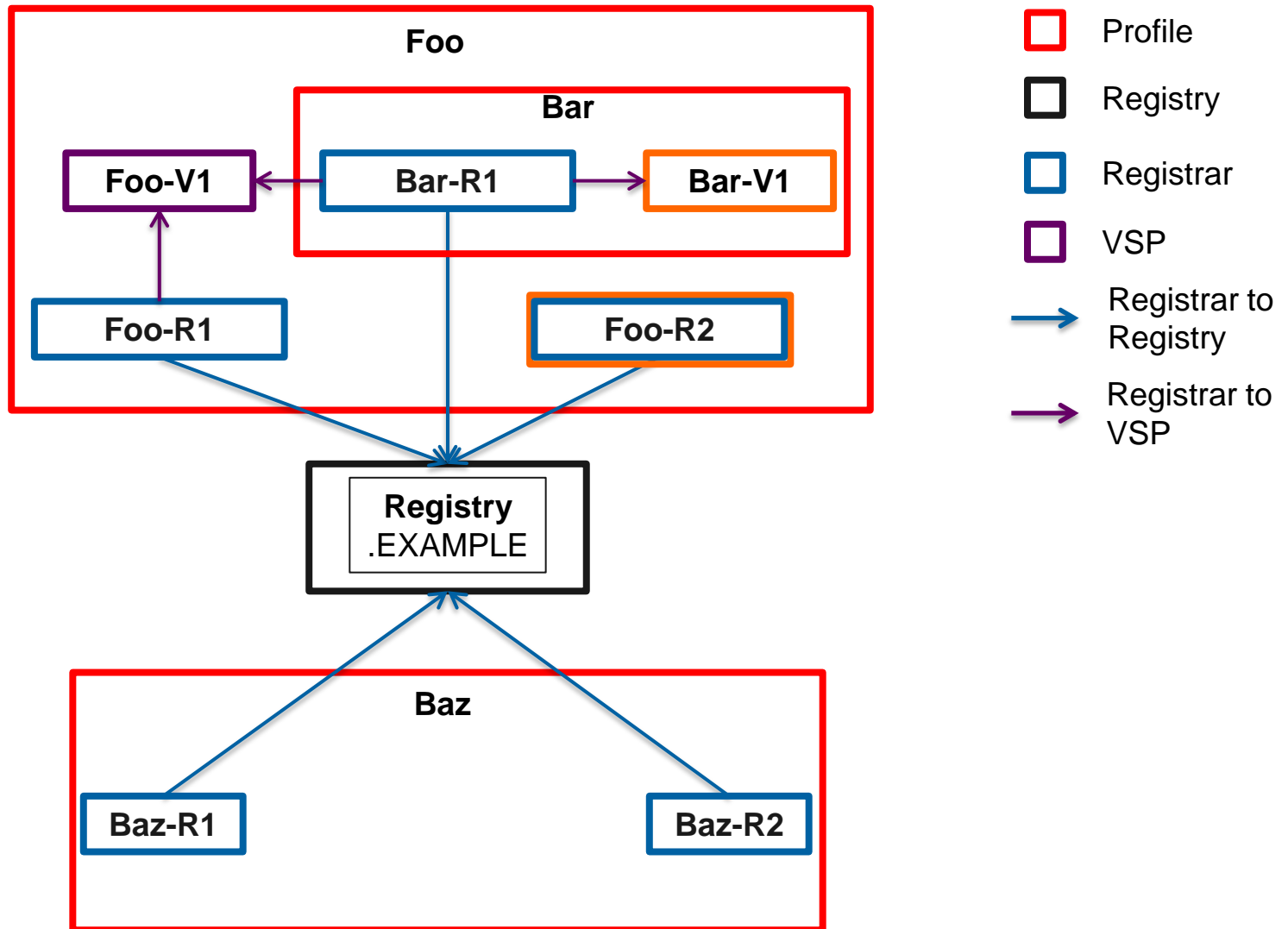
Framework Components and Relationships



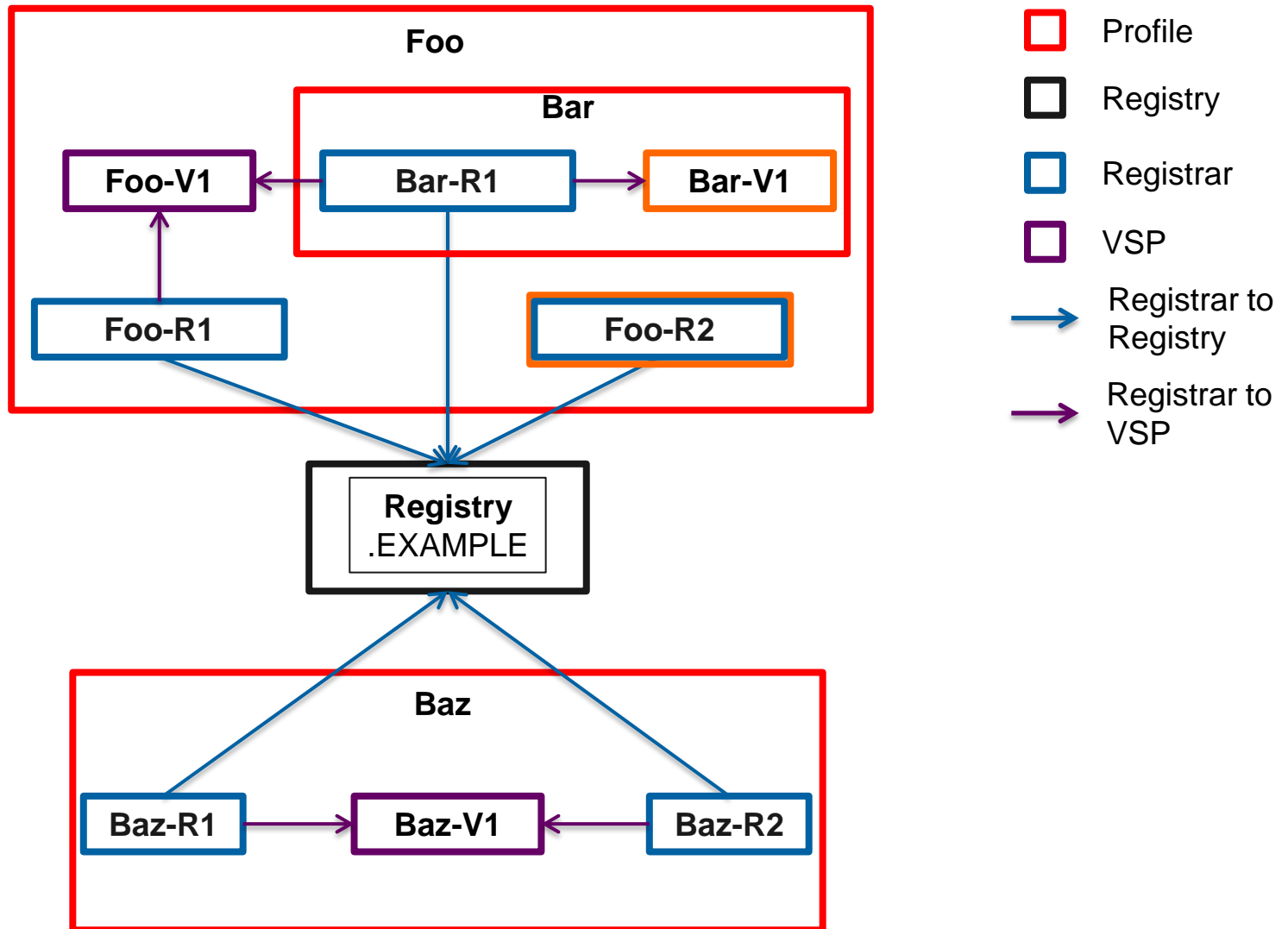
Framework Components and Relationships



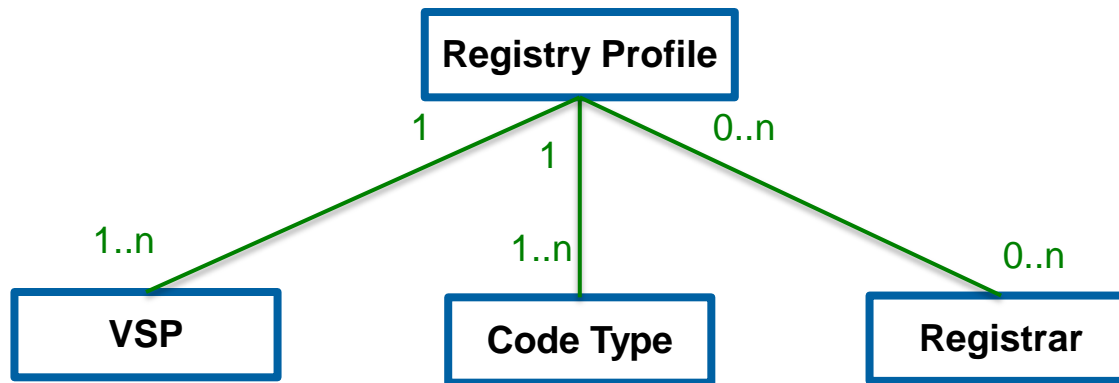
Framework Components and Relationships



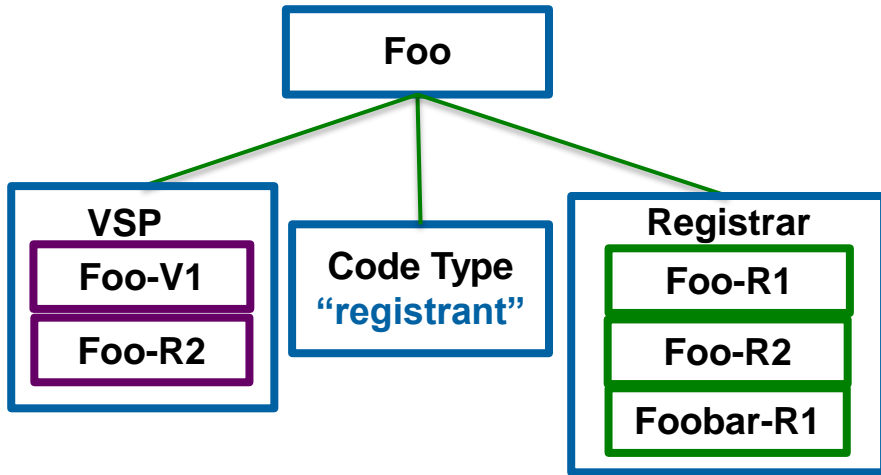
Framework Components and Relationships



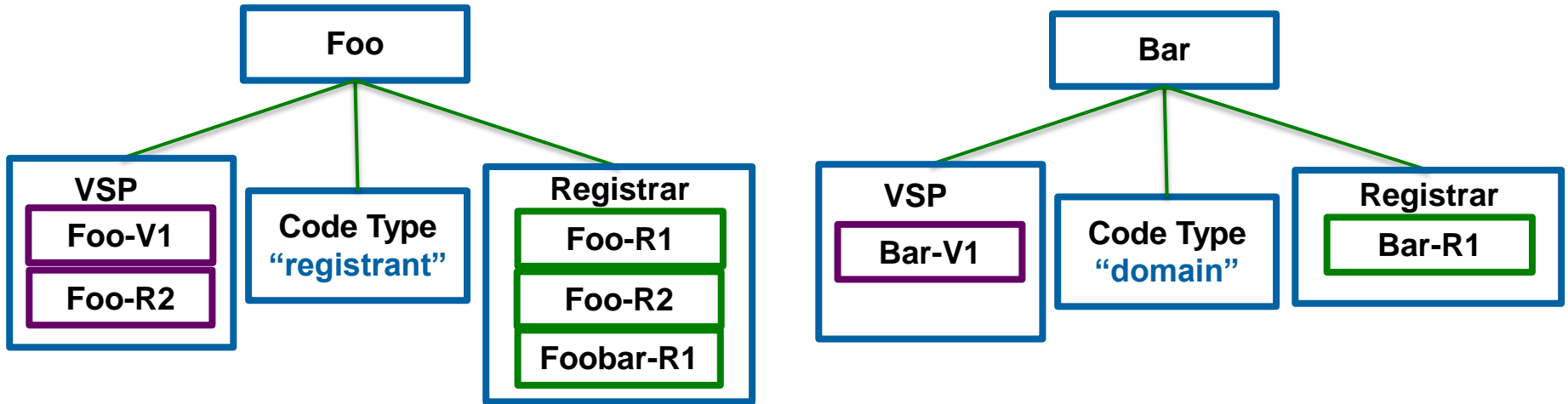
Registry Profile Model



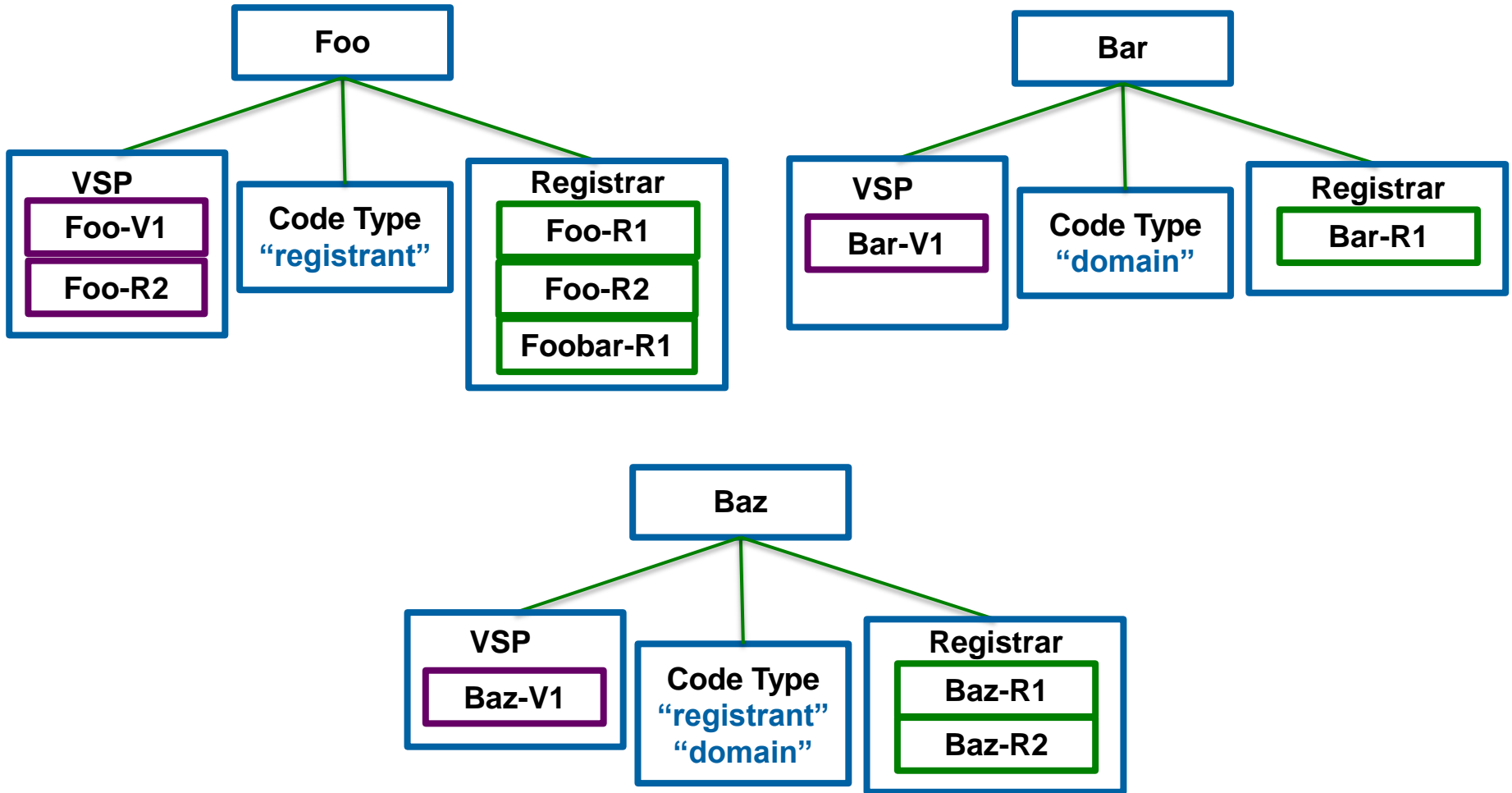
Verification Profiles for Verification World



Verification Profiles for Verification World



Verification Profiles for Verification World



Problem Checklist

- ✓ Keeps verification data local
- ✓ Maintains the Registrar and Registry relationship
- ✓ Has one auditable verification
- ✓ Supports confirmation of verification of any object and any operation
- ✓ Separates verification interface from the Registry interface
- ✓ Is extensible for multiple profiles and diverse rules

Conclusion

The Registry Verification Framework defines a flexible framework for implementing verification requirements of verification profiles while maintaining the Registrar and Registry relationship and ensuring that the verification data stays within the scope of the profile.

powered by



VERISIGN™